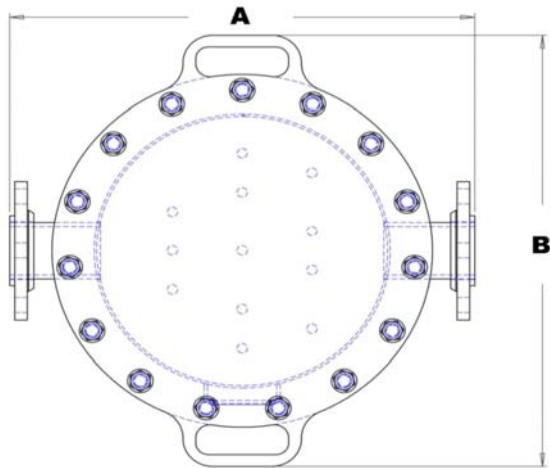


Transvac Quality Marine Equipment

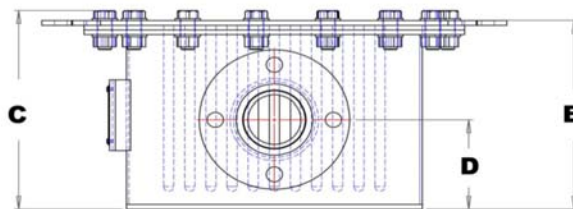
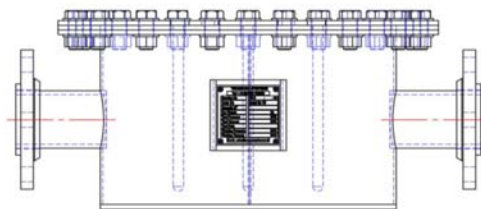
Transtrap Solids Traps

Outline

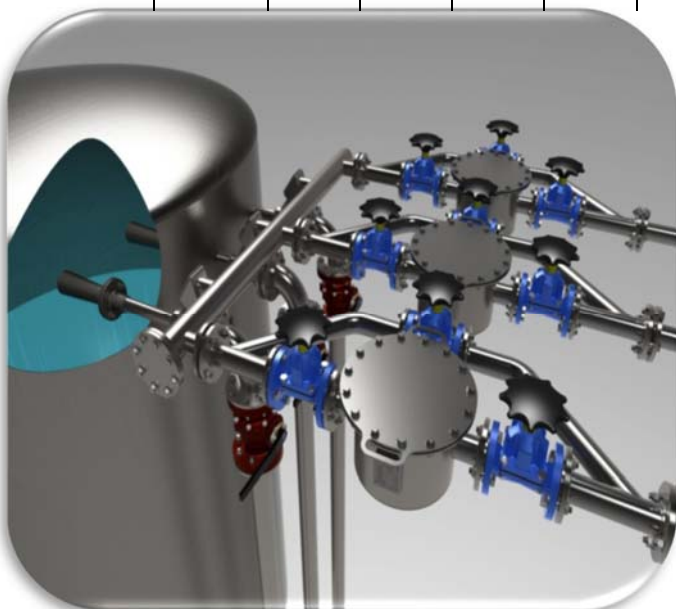
The Transtrap is a Tine Filter which has been designed to effectively capture large scale debris (such as Rags, Rope, Bolts and Bottles etc) prior to entering the ejectors and pumps. Transtraps are supplied in sizes DN50, DN65, and DN80 in either Stainless Steel (AISI 304 or AISI 316) or Galvanised Steel. The traps are usually installed in-line and adjacent to the Vacuum Centrals to gain maximum effect. A bypass line is also fitted to the arrangement in order to allow the operator to open and clean the unit without having to take the entire Vacuum Toilet Systems off-line.



Part # 0206P001 - DN80 Transtrap
 Part # 0206P002 - DN65 Transtrap
 Part # 0206P003 - DN50 Transtrap
 Material: Stainless Steel AISI 316



	A (mm)	B (mm)	C (mm)	D (mm)	E (mm)	PCD (mm)	Weight Kg	Tines	Boltage	Flange
DN80	600	576	275	150	291	460	42	15	18 x M16 x 40	DN80 PN16
DN65	550	550	254	115	241	410	33	12	15 x M16 x 40	DN65 PN16
DN50	500	500	237	106	224	350	29	9	12 x M16 x 40	DN50 PN16



Contact:

Llalco Fluid Technology, S.L.
 Natalia de Silva, 3
 28027 Madrid, SPAIN

Tel: +34 91 742 30 57
 e-mail: llalco@llalco.com
www.llalco.com