

Transvac Quality Marine Equipment Ragsnag Ring



Ilalco
Fluid Technology

TRANSVAC
Environmental Systems

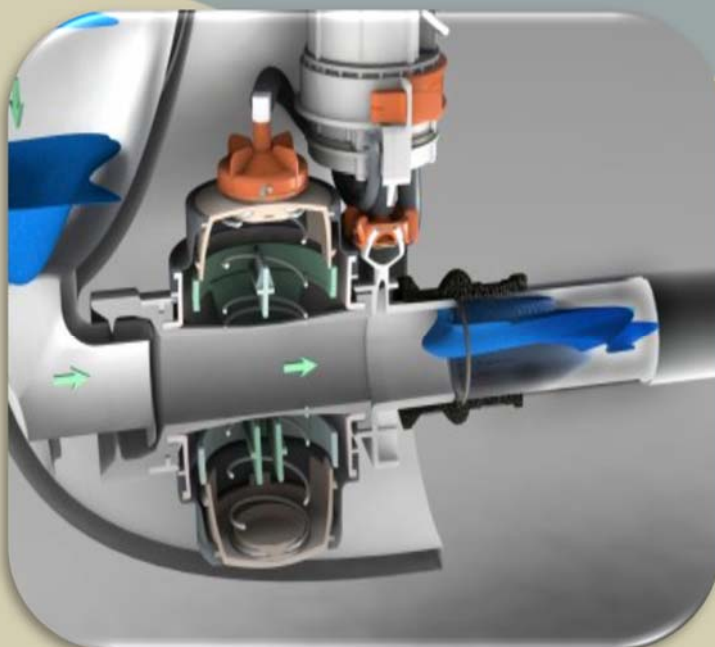
Ragsnag Ring

Results Speak for Themselves:

Reports from Chief Engineers serving on vessels fitted with the units have indicated that the Ragsnag Rings are extremely effective and have dramatically reduced the occurrence of blockages within the vacuum pipework. This, in turn, has enhanced the operation of the vacuum toilet system in general.



Over 400,000 Ragsnag Rings have been fitted to more than 400 vessels worldwide ranging from Cruise Liners, Ro-Ro Ferries, Warships, Luxury Yachts and Fishing Vessels.



How it Works

The Ragsnag ring is installed between the internal recess of the rubber connection and outlet pipe with the hooked centre barb projecting from the upper section of the ring and pointing towards the toilet bowl.

The ring is strategically positioned in the toilet's line of flow to catch any objects or debris that could potentially block the vacuum mains. The barb is designed to snag prohibitive debris that can enter the system by misuse and retain it within the toilet discharge before it enters into the vacuum mainstream where it can create blockages and render large sections of the vacuum sanitary system inoperable. The barb, however, will not prevent the discharge of sewage and toilet paper.

Transvac Quality Marine Equipment

Ragsnag Ring

Fitting Specification



Jets Discharge Valve



Evac Discharge Valve



Hamworthy Discharge



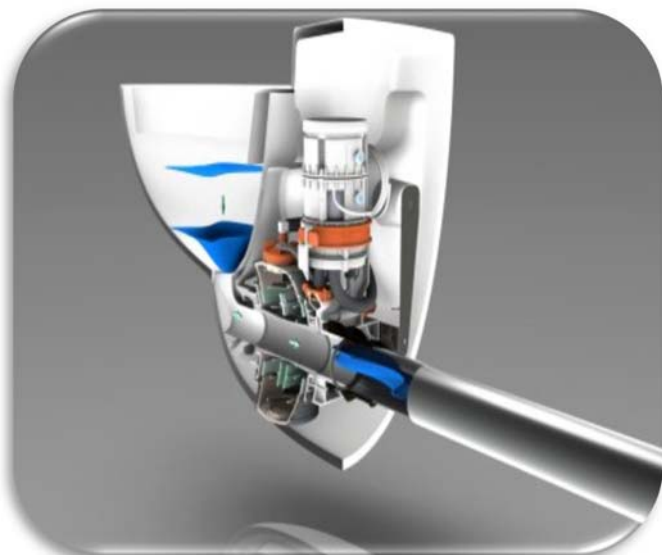
Hamworthy Discharge



Electrolux Discharge Valve



Evac Classic Discharge Valve



llalco
Fluid Technology

Contact:

Llalco Fluid Technology, S.L.
Natalia de Silva, 3
28027 Madrid, SPAIN

Tel: +34 91 742 30 57
e-mail: llalco@llalco.com
www.llalco.com