



Cleantech Solutions.
Anywhere.



Fluid Technology

EVAC ONLINEVAC – Liquid-ring screw pump vacuum generation unit



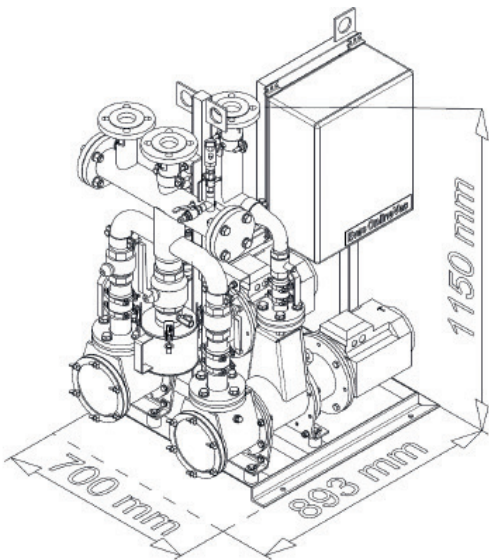
Benefits

- Lightweight, with an extremely small footprint (1 m² / 10.76 ft²)
- Robust construction
- Reliable operation
- Low maintenance
- Standard IEC flange-mounted motor



EVAC ONLINEVAC

– excellent energy efficiency



Materials:

Vacuum pump casing:

– stainless steel, EN 1.4404

Frame: steel S235, EN 10025

Piping: acid-proof steel, EN 1.4404

The Evac OnlineVac is a durable, low-maintenance online vacuum generation unit that macerates sewage and generates the vacuum required for the discharge process.

The Evac OnlineVac is particularly suitable for vessels with medium passenger and crew capacities. It features extra-strong bearings, heavy-duty mechanical seals, and an electric motor with an IEC flange connection. The vacuum is generated and sewage pumped by means of a special liquid-ring screw pump, manufactured – along with the pump casings – from high-quality, corrosion-resistant stainless steel.

Evac OnlineVac units can be customized according to your specific water treatment needs, and are available in two different capacities (V16 and V26) and as a retrofit version. Our Evac OnlineVac 32 and OnlineVac 52 systems comprise two V16 pumps and two V26 pumps respectively.

Features

Model	Pumps	Capacity	Weight (kg)	Dimensions (WxLxH) mm
Evac OnlineVac 16	1xV16	13 m ³ /h: 50 Hz 2.2 kW 16 m ³ /h: 60 Hz 2.5 kW	Net weight (dry): 135 Shipping weight: 155	350x950x1040
Evac OnlineVac 26	1xV26	22 m ³ /h: 50 Hz 3.0 kW 26 m ³ /h: 60 Hz 3.5 kW	Net weight (dry): 155 Shipping weight: 175	480x900x1250
Evac OnlineVac 32	2xV16	26 m ³ /h: 50 Hz 4.4 kW 32 m ³ /h: 60 Hz 5.0 kW	Net weight (dry): 210 Shipping weight: 230	725x685x1090
Evac OnlineVac 52	2xV26	44 m ³ /h: 50 Hz 6 kW 52 m ³ /h: 60 Hz 7 kW	Net weight (dry): 255 Shipping weight: 275	700x900x1250
Evac OnlineVac 78	3xV26	66 m ³ /h: 50 Hz 5.4 kW 78 m ³ /h: 60 Hz 6.6 kW	Net weight (dry): 375 Shipping weight: 400	1170x1355x1315

RELATED PRODUCTS: • 1. Evac Optima 5 vacuum toilets • 2. Evac food waste collection system
3. Evac ORCA IV electrolytic wastewater treatment plant • 4. Evac MBR wastewater treatment membrane bioreactor

Evac OnlineVac can be installed in areas of varying size and layout.

Available as a ready-to-install solution or as separate components. Anti-magnetic and anti-vibration solutions are available for naval ships and other vessels with special requirements.



Cleantech Solutions.
Anywhere.



Vacuum collection



Waste-water treatment



Ballast water management



Fresh water generation



Marine growth prevention



Dry and wet waste treatment*



Corrosion protection

World's leading provider of integrated water and waste management systems, as well as corrosion-protection systems, for the marine, offshore, and building industries. Our cutting-edge solutions and services have been helping leading global players in these industries to significantly reduce their environmental footprint for 40 years. With offices in 14 countries across four continents and representatives in more than 70 countries, we pride ourselves on being close to our customers wherever in the world they are located.

* Solutions for building industry customers are sold by Evac



lhalco Fluid Technology, S.L.
Natalia de Silva 3, 28027 Madrid,
ESPAÑA
+34 91 7423057
lhalco@lhalco.com; www.lhalco.com