



Cleantech Solutions.
Anywhere.



Ilalco
Fluid Technology

EVAC ONLINEMAX R

Online double-stage vacuum generation unit

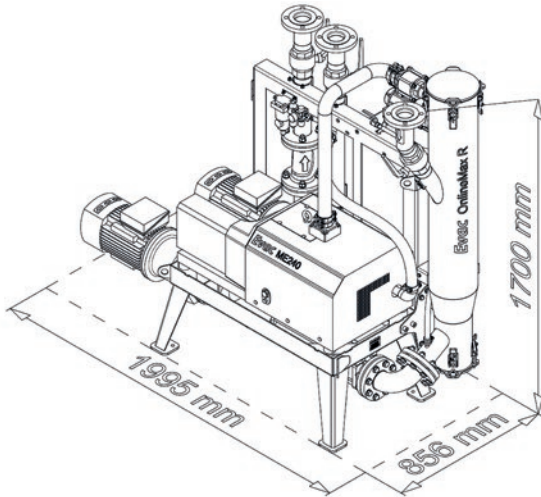


Benefits

- High-capacity system with a small footprint (1 m² / 10.76 ft²)
- Suitable for both new builds and retrofits
- Quick and flexible installation
- High energy efficiency
- Simple, fully automatic operation
- Robust design with high-quality, reliable components
- No foaming means no need for antifoaming chemicals
- No collection tank needed
- High discharge head of up to 20 meters/65.61 feet
- No sealing water required, meaning lower fresh water consumption



EVAC ONLINEMAX R



The Evac OnlineMax R is the most powerful and energy-efficient online vacuum collection system on the market. The Max concept was designed as an energy efficient way to meet the increasing demand for larger vacuum capacity in vacuum toilet systems on large vessels such as cruise ships. The Evac OnlineMax R offers significant long-term operational savings – the bigger the vessel, the greater the cost efficiency.

In the double-stage vacuum (DSV) system, the air/sewage mixture is divided into separate sewage and air phases. Because each phase is handled by a separate specialized pump rather than by common, non-optimized pumps for both phases, the system is much more efficient.

Technical data

- Pump types: Dry claw vacuum pump, progressive cavity pump
- Materials: Vacuum pump with cast-iron casing, PTFE coated inside
Sewage pump with cast-iron casing
- Frame: Steel S235 EN S355 (ASTM A572)
- Piping: Acid-proof steel EN 1.4404 (AISI 316L)
- Connections: Flanges PN10: inlet DN65, outlet (sewage) DN65, vent (air) DN65
- Pressurized air: Ø8 mm (push fit), 6–8 bar
- Vacuum inlet, discharge, and ventilation: DN65 / PN10 (EN 1092-1)

Features

Model	Vacuum (m ³ /h) 50 Hz	Vacuum (m ³ /h) 60 Hz	Discharge (m ³ /h)	Max. discharge head (m)	Net weight (dry) kg
Evac OnlineMax R 100	80	100	15	20	470
Evac OnlineMax R 175	140	175	15	20	470
Evac OnlineMax R 240	200	240	15	20	540
Evac OnlineMax R 300	250	300	15	20	540

RELATED PRODUCTS: • 1. Evac Optima 5 vacuum toilet • 2. Evac food waste collection system
3. Evac MBBR wastewater treatment moving bed reactor • 4. Evac MBR wastewater treatment membrane bioreactor



Vacuum collection



Waste-water treatment



Ballast water management



Fresh water generation



Marine growth prevention



Dry and wet waste treatment*



Corrosion protection

Evac is the world's leading provider of integrated water and waste management systems, as well as corrosion-protection systems, for the marine, offshore, and building industries. Our cutting-edge solutions and services have been helping leading global players in these industries to significantly reduce their environmental footprint for 40 years. With offices in 14 countries across four continents and representatives in more than 70 countries, we pride ourselves on being close to our customers wherever in the world they are located.

* Solutions for building industry customers are sold by Evac



l1alco Fluid Technology, S.L.
Natalia de Silva 3, 28027 Madrid, ESPAÑA
+34 91 742 30 57
l1alco@l1alco.com; www.l1alco.com