



Cleantech Solutions.
Anywhere.



Ilalco
Fluid Technology

EVAC UMS 2530 Shredder with small dimensions

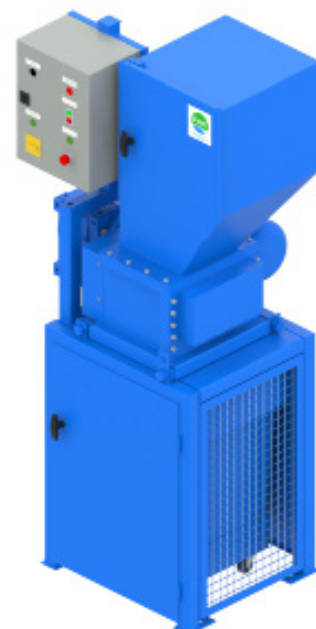


Benefits

- Compact design
- Extremely durable shredder head in HARDOX steel
- Can shred most kinds of waste
- Automatic reverse if blockage occurs
- Low noise level
- Semi-automatic operation
- Easy to install and maintain, safe to use
- User-friendly
- DNV/GL Maritime Assessment/Verification report

Included:

- 1 x 90 liter plastic wheelie bin



EVAC MINI SHREDDER

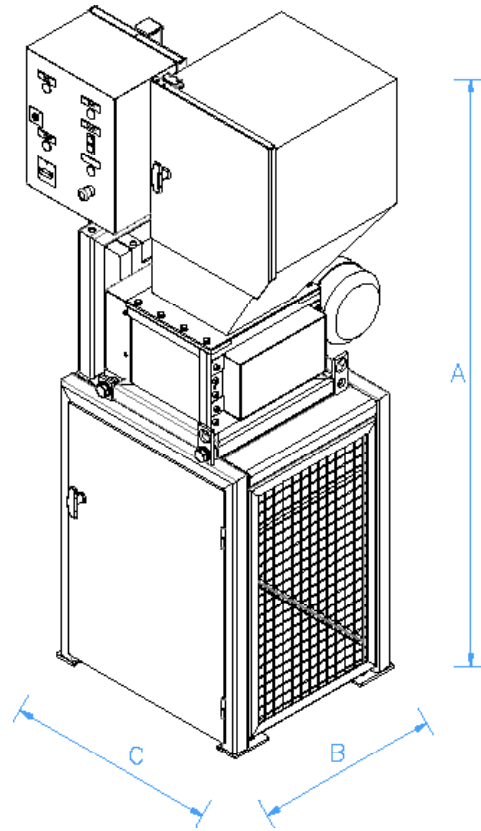
The Evac UMS 2530 is a small shredder designed for shredding various waste materials such as general waste, plastic bottles and aluminium cans.

The unit transforms the waste into flakes which enables contained residual liquid to be drained. With the slow rotating shredder the noise level is kept to a minimum.

A special designed feeding hopper is placed on top to ensure safe operation of the machine. The unit reduces the volume of ship-generated garbage by up to 80% depending on the fraction, which in turn reduces the amount of storage space required.

The shredded material is collected in a standard 90 litre wheelie bin for easy handling and transport ashore.

The Evac UMS 2530 has been examined and tested by DNV/GL Maritime for the purpose of marine and offshore installations. The electrical system is compliant with IEC 60092 standard.



Features

Dimensions			
A	1735 mm	Collecting bin	90 liter
B	710 mm	Material	Plastic
C	733 mm	Voltage, Rating, Rated current	3 x 220-690 V, 50/60 Hz, 3.0/3.6 kW
Service height	1 745 mm	Electrical system	IEC 60092 compliant
Net weight	340 kg		
IP Class	54		

RELATED PRODUCTS: • 1. Evac UMS 5050, Midi Shredder • 2. Evac UOS 5050, Offshore Shredder
3. Evac USC 2020, Shredder Compactor • 4. Evac UMCC, Multi Chamber Compactor



Evac is the world's leading provider of integrated water and waste management systems, as well as corrosion-protection systems, for the marine, offshore, and building industries. Our cutting-edge solutions and services have been helping leading global players in these industries to significantly reduce their environmental footprint for 40 years. With offices in 14 countries across four continents and representatives in more than 70 countries, we pride ourselves on being close to our customers wherever in the world they are located.

* Solutions for building industry customers are sold by Evac



lhalco Fluid Technology, S.L.
Natalia de Silva 3, 28027 Madrid, ESPAÑA
+34 91 742 30 57
lhalco@lhalco.com; www.lhalco.com