



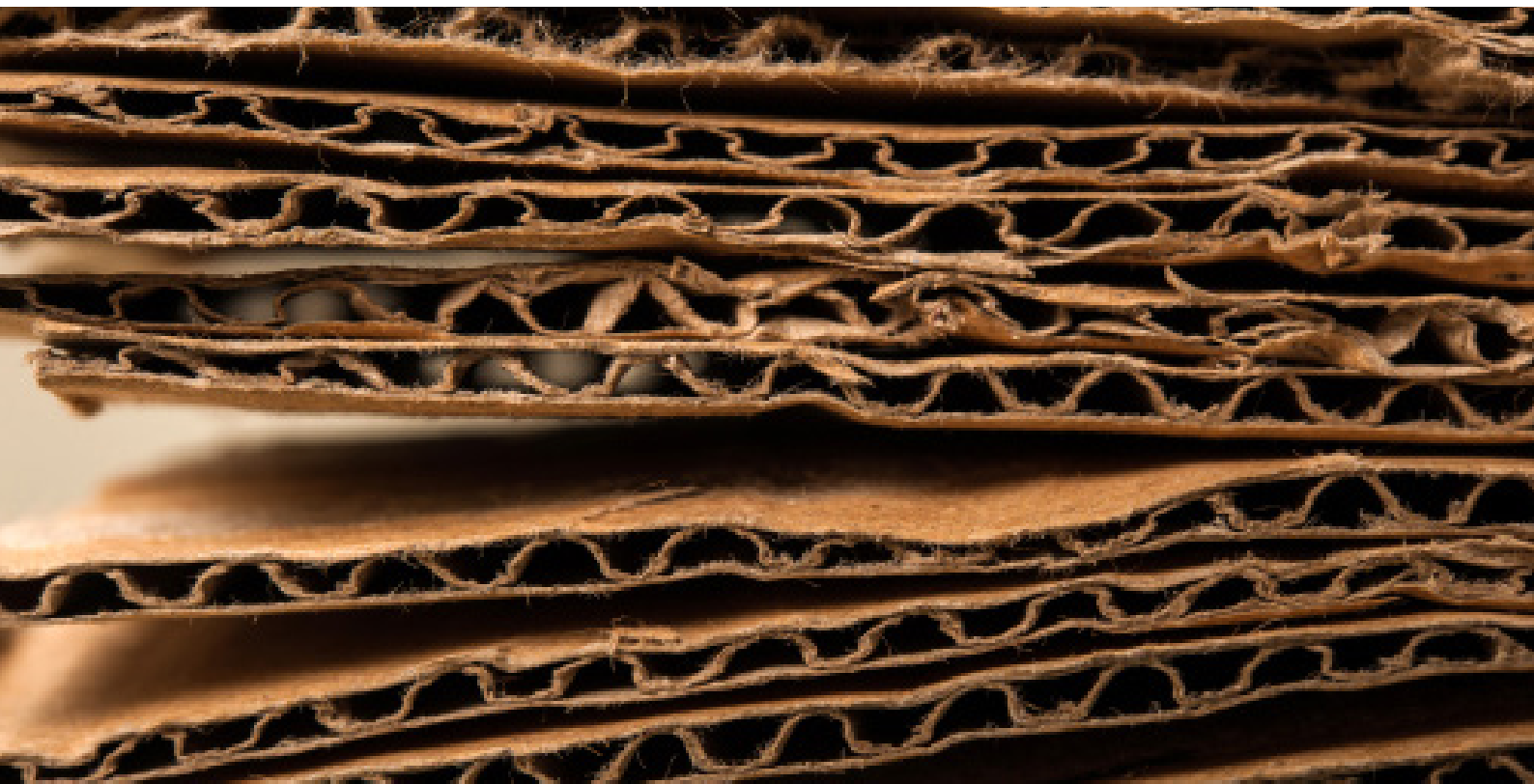
Cleantech Solutions.
Anywhere.



Ilalco
Fluid Technology

EVAC UBP 40/80

High capacity baling press for cardboard

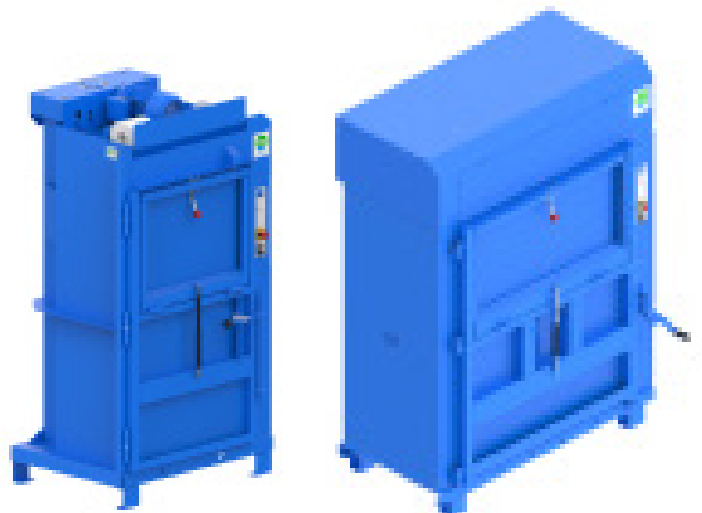


Benefits

- Large inlet for cardboard
- Baling of voluminous recyclable waste
- Semi-automatic bale ejection
- Automatic indication for full bale
- Bale fits on pallet
- Efficient, clean and silent electromechanical drive
- “Double-stroke” and “Stay-n-Hold” functionality
- 17 ton pressing power – up to 80% volume reduction
- No deterioration in efficiency after years of operation
- Easy to retrofit; “Plug-n-Press” installation
- Storm position feature of press head
- Safe operation in high seas

Included:

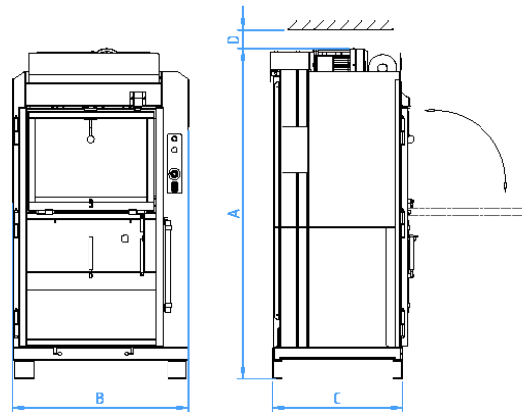
- 2 rolls of baling bands (Evac UBP 40)
- 4 rolls of baling bands (Evac UBP 80)
- 1 tube of spindle grease
- 1 extractor hook for baling band



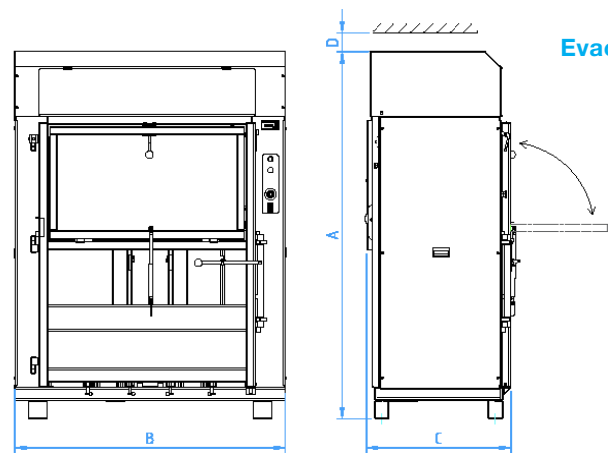
EVAC HIGH CAPACITY BALING PRESS

Cardboard is easy to send for recycling if properly compacted and this also reduces the disposal cost. The robust Evac UBP 40/80 baling presses with electromechanical drives are designed for easy maintenance and contain no hydraulics.

The wide feeding opening means that cardboard boxes do not need to be compacted manually before being fed into the baling press. The unit has automatic indication for full bale. The bale is manually strapped with four plastic ribbons and the semi-automatic bale ejection feature is a great help to the crew in handling the bales. The bales, which correspond in size to a EUR-pallet, are easily stored and transported to shore.



Evac UBP 40



Evac UBP 80

Features

Dimensions		Evac UBP 40	Dimensions		Evac UBP 80
Height		1785 mm	Height		1990 mm
Width		952 mm	Width		1465 mm
Depth		732 mm	Depth		790 mm
Service height		100 mm	Service height		100 mm
Feed opening		700 x 500 mm	Feed opening		1100 x 550 mm
Net weight		365 kg	Net weight		740 kg
Press power		4 ton	Press power		16 ton
Voltage, Rating		3 x 380-460 V, 50/60 Hz, 1.5/1.8 kW	Voltage, Rating		3 x 220-690 V, 50/60 Hz, 4.0/3.6 kW
IP Class		54	IP Class		54

RELATED PRODUCTS: • 1. Evac UWC 50 waste compactor • 2. Evac UMCC, multi chamber compactor • 3. Evac UBP 30S baler and compactor • 4. Evac UKP 6060 refrigerated compactor • 5. Evac UCC compacting container



Evac is the world's leading provider of integrated water and waste management systems, as well as corrosion-protection systems, for the marine, offshore, and building industries. Our cutting-edge solutions and services have been helping leading global players in these industries to significantly reduce their environmental footprint for 40 years. With offices in 14 countries across four continents and representatives in more than 70 countries, we pride ourselves on being close to our customers wherever in the world they are located.

* Solutions for building industry customers are sold by Evac



l1alco Fluid Technology, S.L.
 Natalia de Silva 3, 28027 Madrid,
 ESPAÑA
 +34 91 742 30 57
 l1alco@l1alco.com; www.l1alco.com